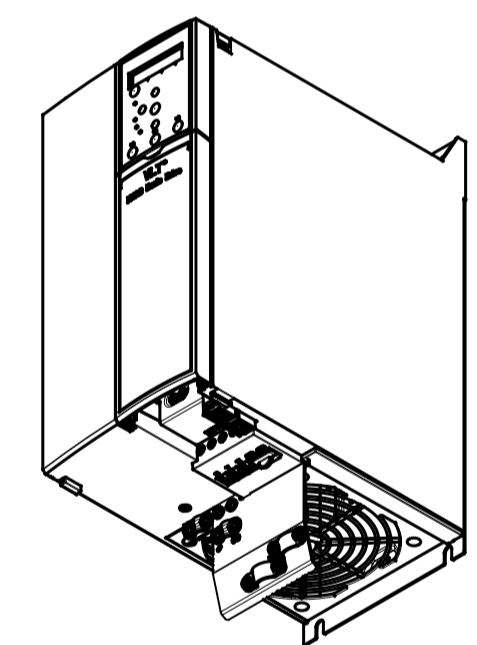
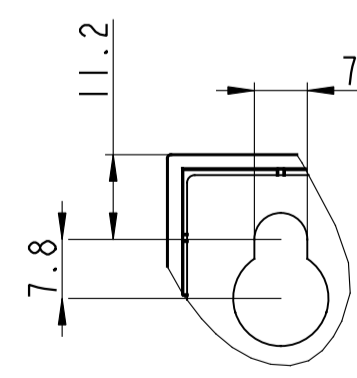


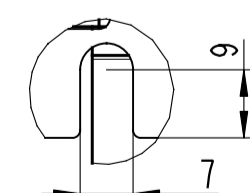
SCALE 1:5



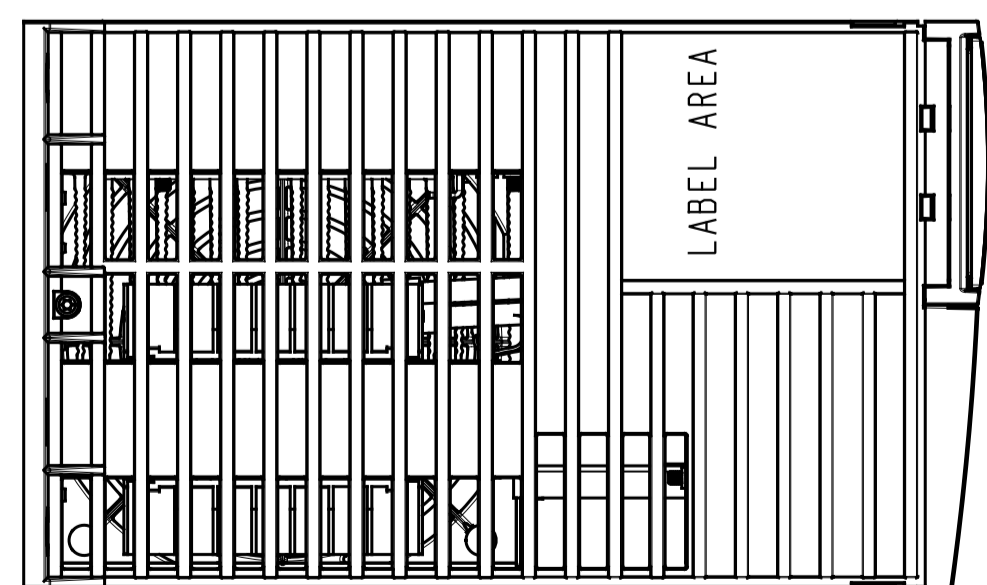
SCALE 1:5



DETAIL A
SCALE 1:1



DETAIL B
SCALE 1:1



PDM controlled drawing. Hard copy not valid without frozen date in ID Stamp		Projection 	Scale 1:2	Size A1	Material
Replace				Designation / Name	
Designer	XXN 2011-03-30			ENCLOSURE-H5-IP20	
Confidential: Property of Danfoss Power Electronics A/S, Græsten, Denmark. Not to be handed over to, copied or used by third party. Two- or three dimensional reproduction of contents to be authorized by Danfoss Power Electronics A/S.				No.	H5-IP20_OUTLINE Rev. 001
				Sheet 1 of 1	Sheet 1 of 1

Made in: H5-IP20-ASSEM